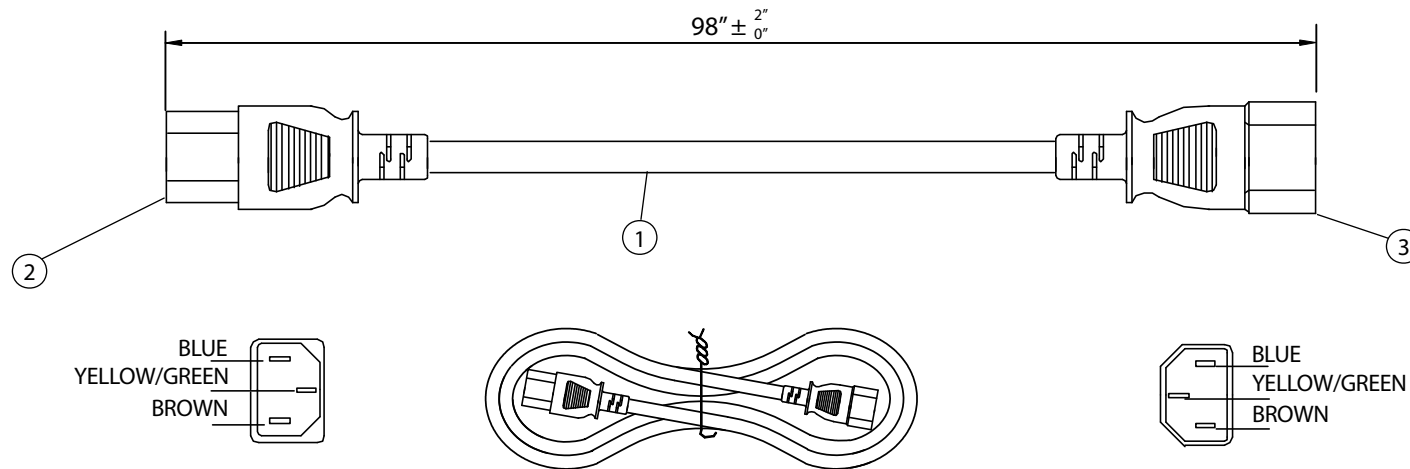


THESE DRAWINGS ARE THE PROPERTY OF QUALTEK ELECTRONICS AND NOT TO BE REPRODUCED FOR OR COMMUNICATED TO A THIRD PARTY WITHOUT THE EXPRESS WRITTEN PERMISSION OF AN OFFICER OF QUALTEK ELECTRONICS.

REVISION			
REV.	DESCRIPTION	DATE	APPROVED
B	RoHS Compliancy	06-01-06	DP
C	Updated Specifications	01-10-08	DP
D	Updated Approvals	01-25-08	DP



CONTROLLED

NOTES:

1. CORDAGE: H05VV-F/SJT, 18AWG / 3C, 3x1.00mm²
CEE COLOR CODE, TEMP. RATING 105°C,
RATING: 250V 10A, JACKET COLOR: BLACK
2. PLUG: IEC 60320 C14
3. CONNECTOR: IEC 60320 C13
4. APPROVALS: UL, cUL, VDE, CB, CEBC, DEMKO, FIMKO,
IMQ, KEMA, NEMKO, OVE, SAA, SEMKO, SEV
5. HANK AND TIE
6. ROHS COMPLIANT

Dim range (mm)	Tolerance +/- (mm)	Qualtek Electronics Corp. PPC DIVISION		
0-1	0.15	Part Number:	319004-T01	
1-6	0.20	Description:	POWER CORD	
6-18	0.30		UNIT: in	REV. D
18-50	0.50	Drawn / Date	Checked / Date	Approved / Date
50-120	0.70	B.Zhang 10-28-00	10-28-00	JJH / 10-28-00
120-250	0.90			
250-500	1.20			